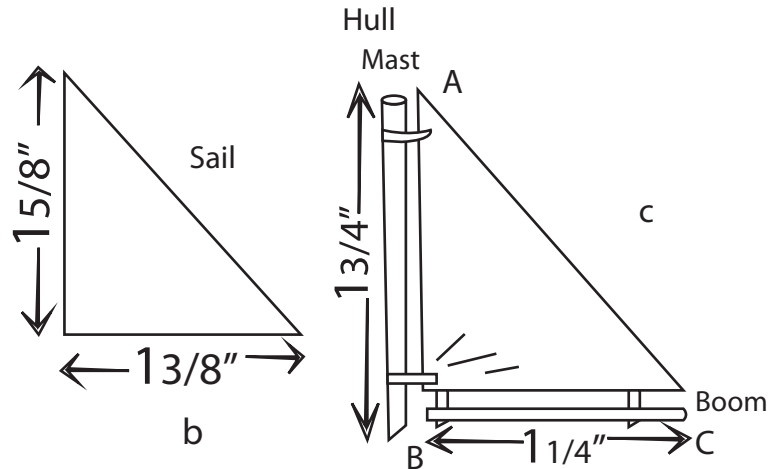


Under Drake's Flag

MAKE YOUR OWN SHIP IN A BOTTLE

Materials Needed:

- Small piece of wood (to fit inside bottle)
- Wide-mouth bottle with cap or cork
- Sandpaper
- Plaster of Paris (or similar putty/plaster)
- Paint brush
- Blue poster paint
- White thread
- Cloth (for sail)
- Needle
- Sucker stick, skewer, or thin dowel rod
- Crochet hook
- Glue
- Knife or scissors
- String
- Thumbtack
- Straight pins

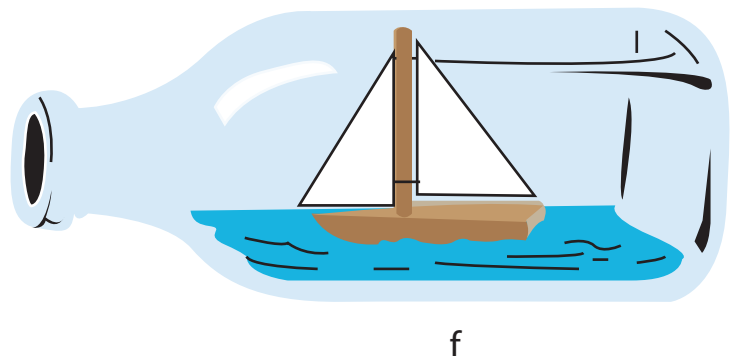
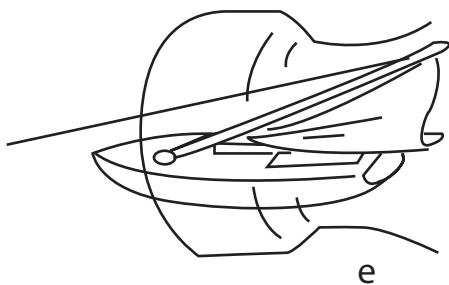
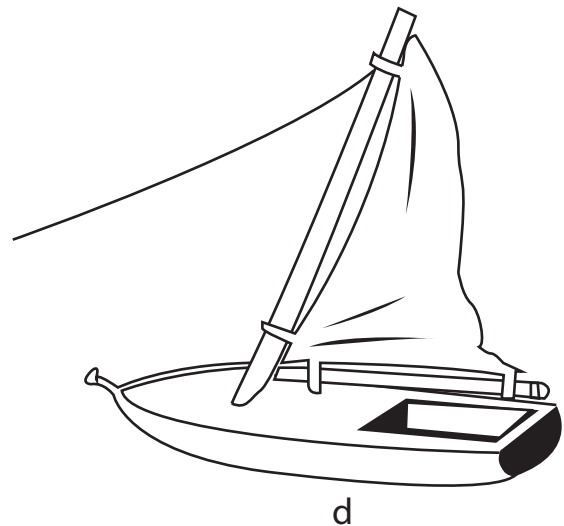


1. Wash out the inside of your bottle. Allow plenty of time to completely dry.

2. Draw a ship's hull on a small piece of wood.

3. Carve and whittle the wood down to desired shape/size. Make sure it is small enough that it can slip through the bottle's neck.

4. Make a 3/16" hole in the hull – two inches from the front so that your mast will fit.



Under Drake's Flag

MAKE YOUR OWN SHIP IN A BOTTLE

5. Carve out the hold of your ship.

6. Smooth ship all over with sandpaper.

7. Cut out a triangular sail from your cloth. It should be approximately 1 and 5/8" high by 1 and 3/8" wide.

8. Cut a 1 and 3/4" mast using a sucker stick, skewer, or thin dowel rod. It should be able to tip when the boat is put into the bottle.

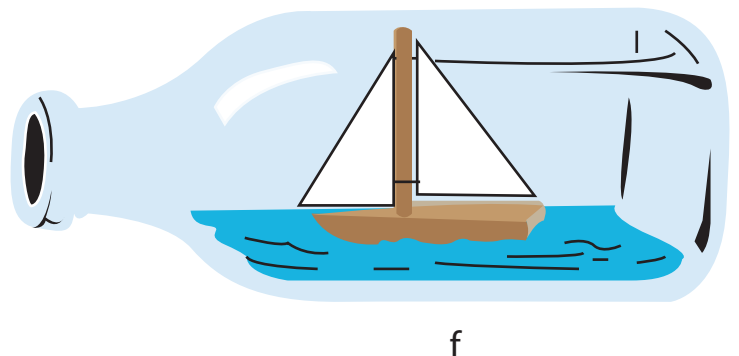
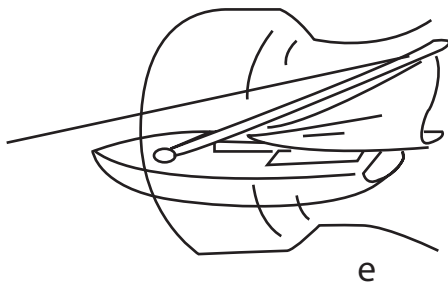
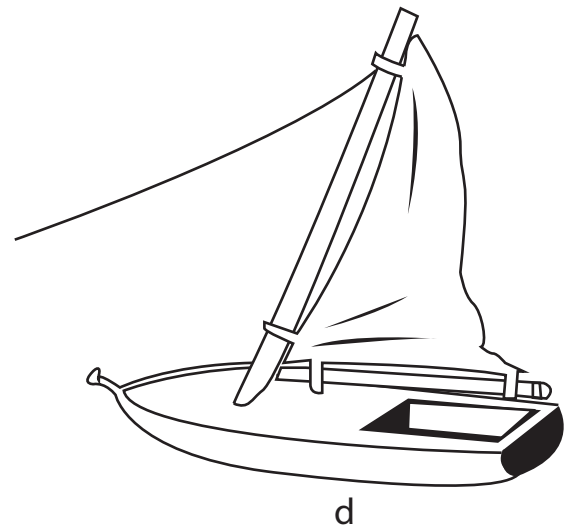
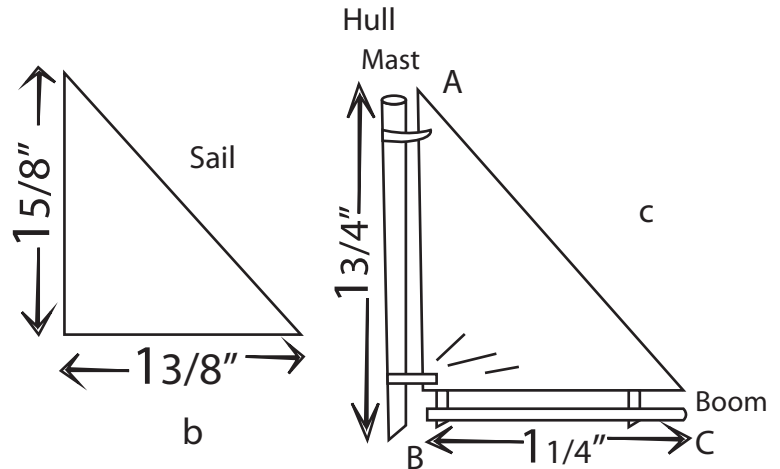
9. Fast the top of the sail to the top of the mast with your thread.

10. Cut a 1 and 1/4" length of sucker stick, skewer, or dowel rod for the boom. Place boom at the bottom of the sail and attach the corner with thread.

11. Tie one end of thread near bottom of mast, and other end to boom. Insert mast into the hole you created in your hull. Thumbtack a string from end of boom to back of boat.

12. Cut a length of 12" of thread. Tie one end of the thread to the top of the mast. Insert a straight pin into the end of the boat that will face the opening of the bottle.

13. Turn bottle on the side. Insert a small amount of putty or plaster of Paris. Use a paintbrush to work it down the sides of the bottle. You can make this look like ocean waves.



Under Drake's Flag

MAKE YOUR OWN SHIP IN A BOTTLE

14. Paint over the area with blue paint to resemble water and waves.

15. Tip the mast towards the back of the boat and collapse the sail. Be careful! Make sure the end of thread attached to the mast stays OUTSIDE of the bottle.

16. Use an end of a pencil to press boat into position, onto your putty or plaster of Paris.

17. Allow the bottle/boat to dry for at least 24 hours.

18. After drying, gently pull the thread to raise the mast. Using your crochet hook, loop the thread around the pin several times. Add a bead of glue to hold the thread in place.

19. Allow the glue to dry. When dry, cut off the loose end of the thread using a small knife or scissors.

20. Place the cap or cork on the bottle and seal it!

